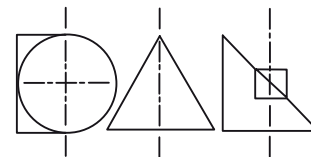


Coveline LED - IP67

Installation and Maintenance Procedure



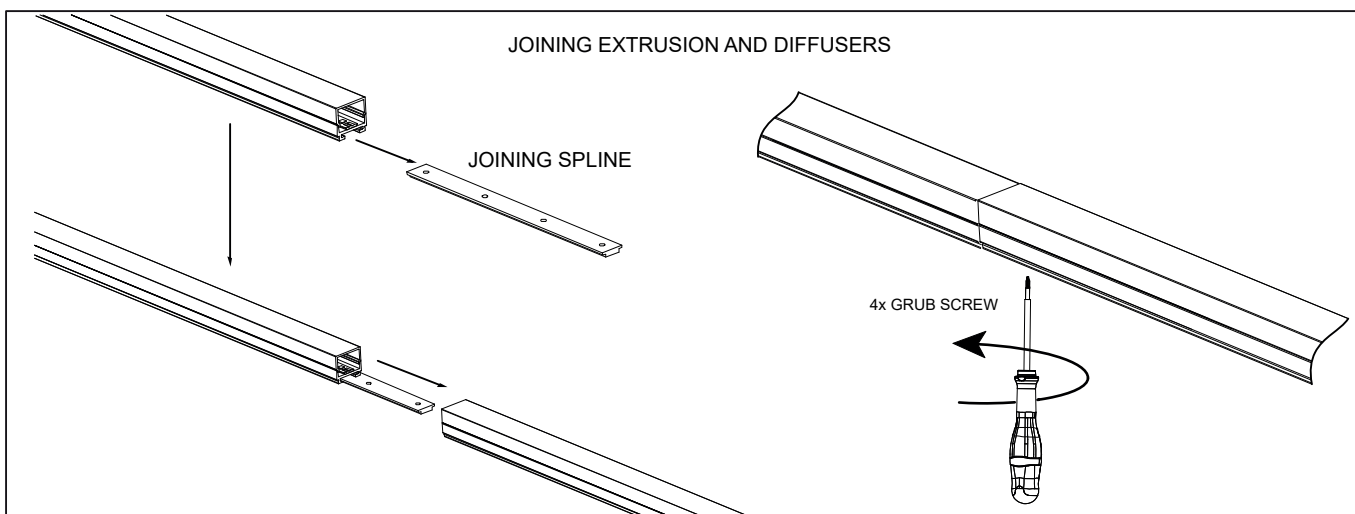
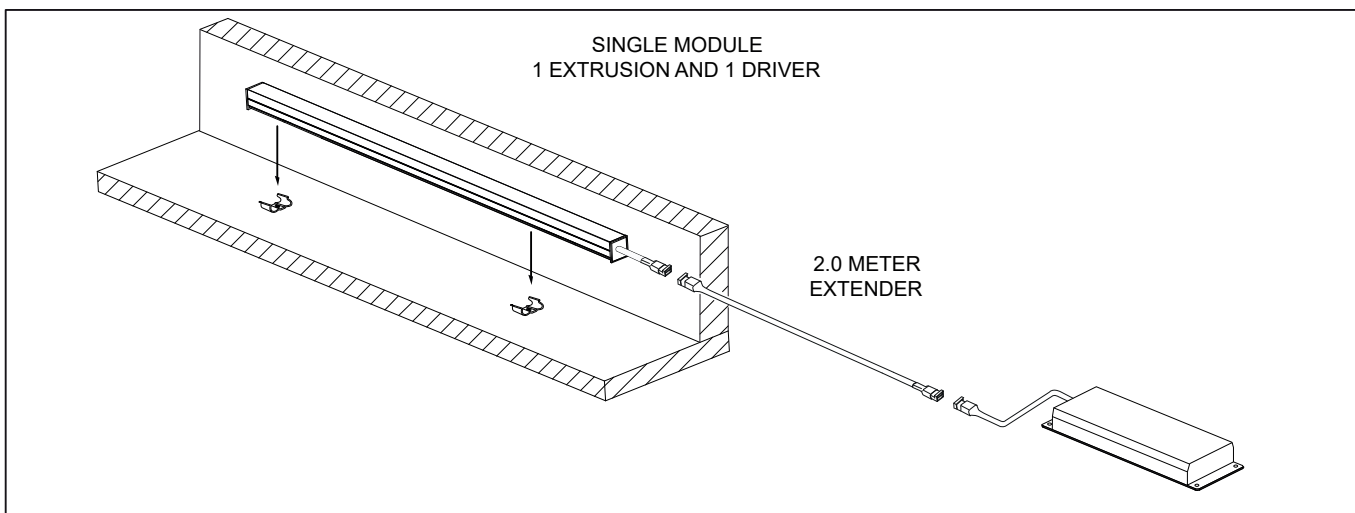
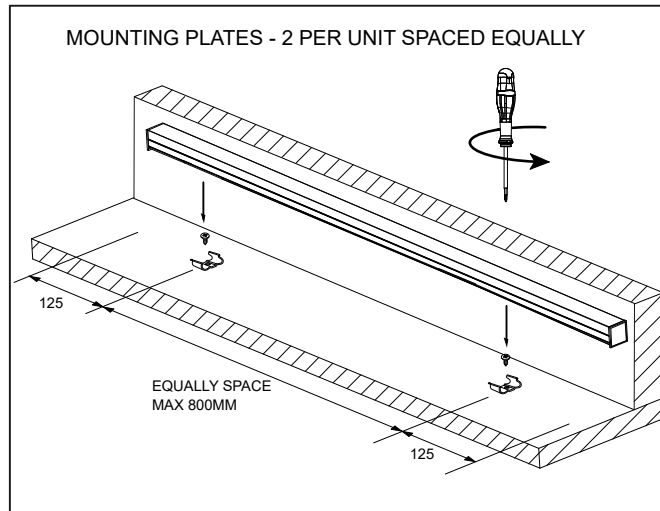
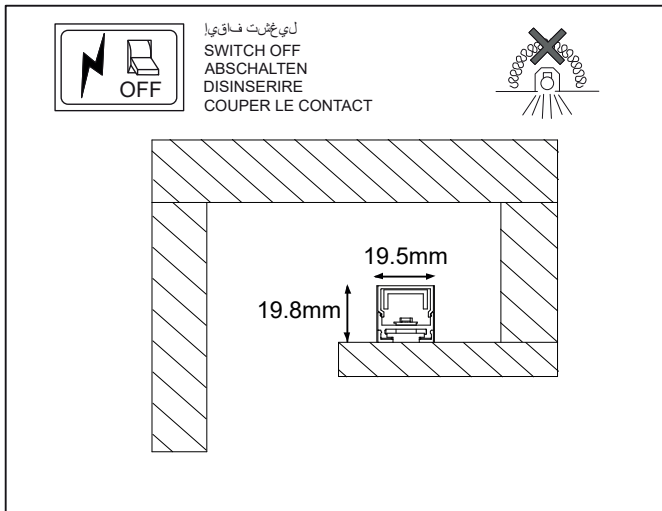
PRODUCT NUMBER:- A7232/5/A/XXXX



Country of origin
United Kingdom

ALL LED PRODUCTS REQUIRE THE USE OF
A SUITABLE RATED DRIVER (SUPPLIED)

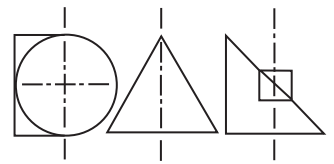
IP20 220-240V~50/60 HZ WEE/EA0290TY



- WARNING. SWITCH OFF MAINS BEFORE INSTALLING OR SERVICING
- RETAIN PROCEDURE FOR FUTURE USE

Coveline LED - IP67

Installation and Maintenance Procedure



PRODUCT NUMBER:- A7232/5/A/XXXX



IP20 220-240V~50/60 HZ

Country of origin
United Kingdom

WEE/EA0290TY

LED TAPE INSTALLATION

LED tapes must be installed on aluminium to avoid LED's overheating.

Clean and dry flat and smooth mounting surface.

Remove the adhesive tape from the back.

Apply the LED tapes carefully. Remove the adhesive tape while unrolling.

Do not bend or twist the LED tapes.

Press the LED tapes gently between the electronic components.

2 EXTRUSIONS AND 1 DRIVER

LED TAPE

3 EXTRUSIONS AND 2 DRIVERS

LED TAPE BUTTED END TO END

LED TAPE 1

LED TAPE 2

COVELINE

2.0 METER EXTENDER

DALI DRIVER 240 / 24V

5 POLE PLUG / SKT

- L
- N
- E
- DA
- DA